

wright **STANDER[®]X**

Parts List for Wright Stander X
(For Serial Numbers 55853 and Higher Until Superseded)

Replace with newer revisions as they become available



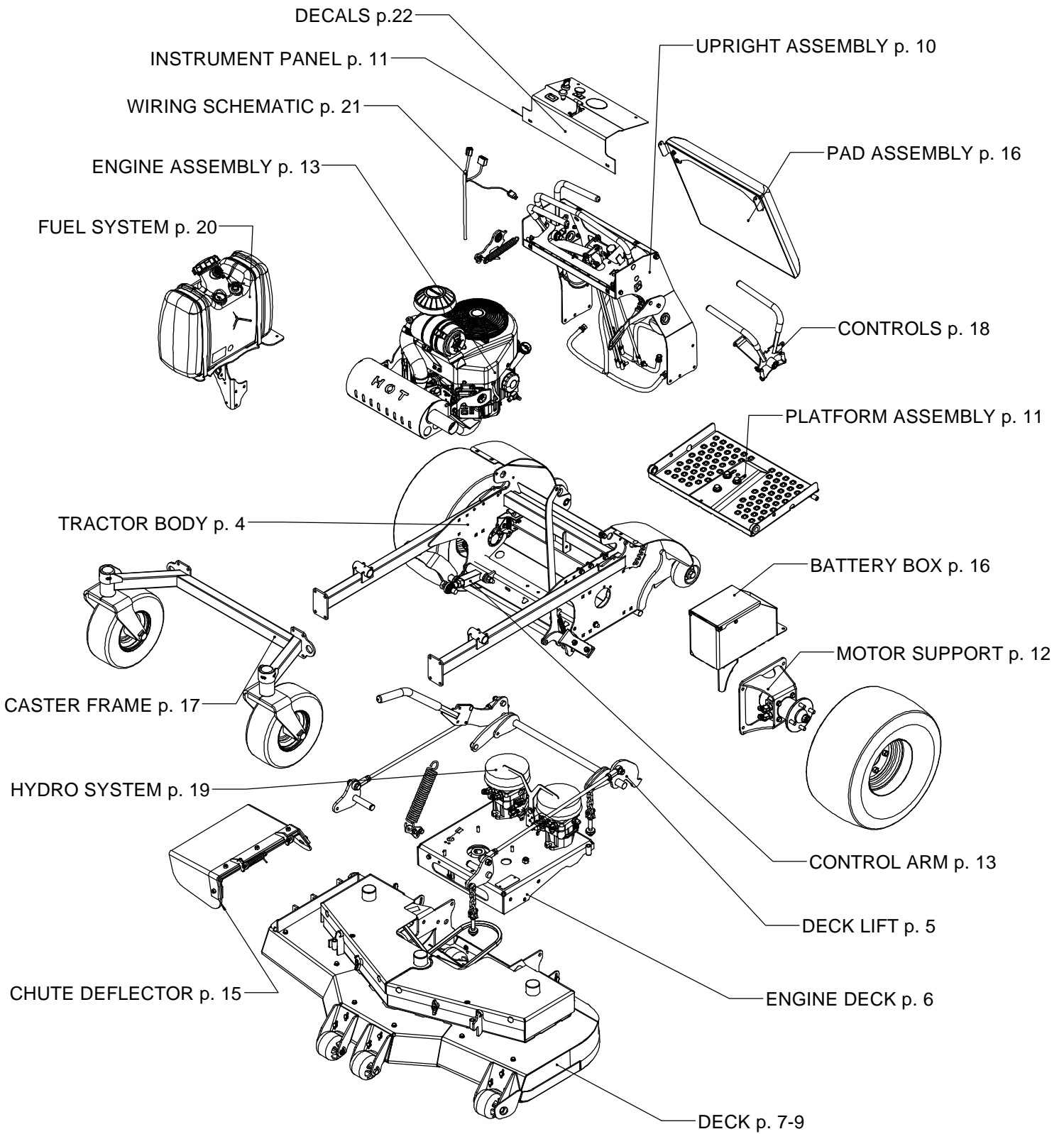
© 2011 Wright Manufacturing, Inc. All rights reserved

Revised: 5/23/11

NOTES:

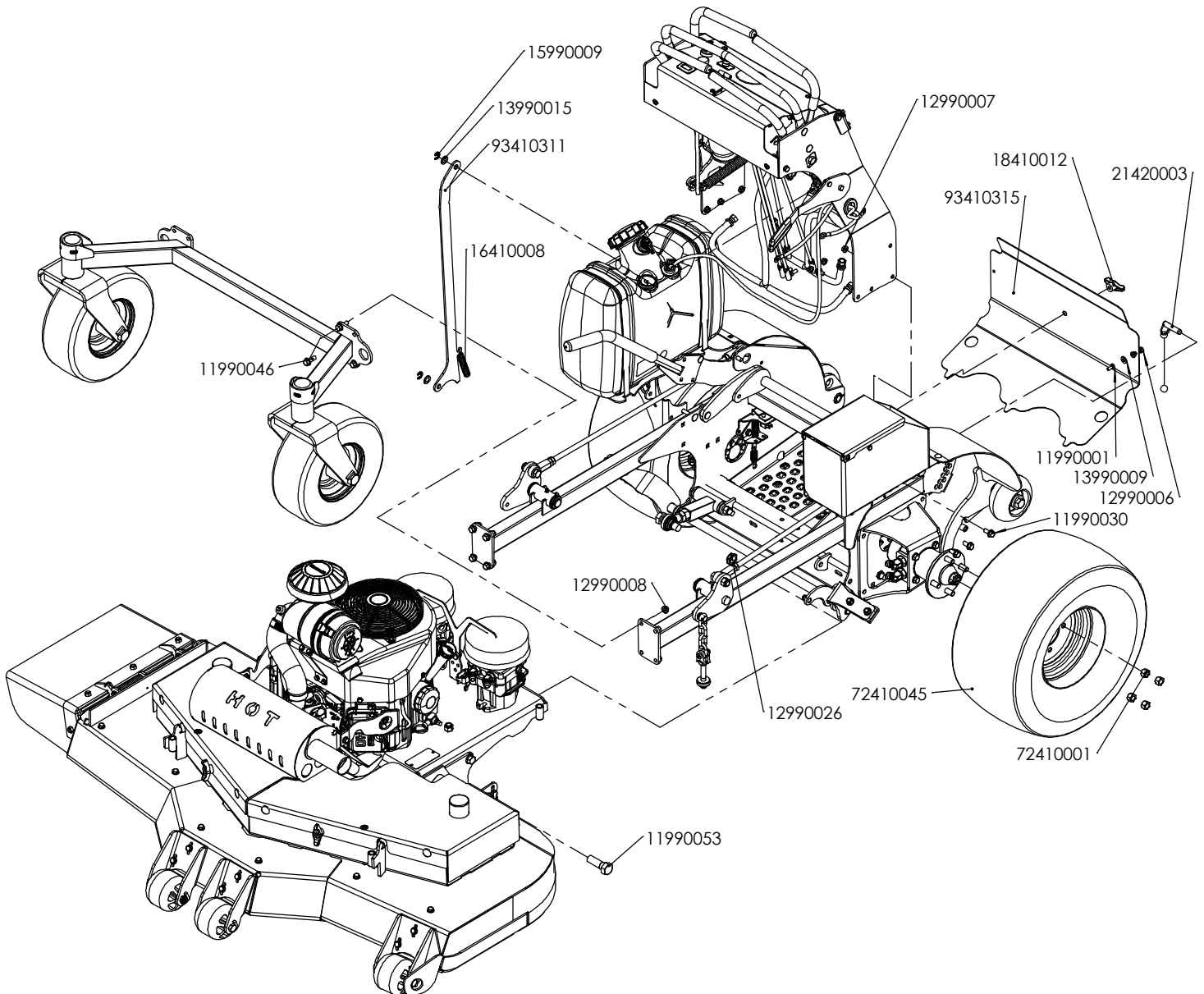
1. Use parts specified by Wright Manufacturing, Inc. Use of other parts may compromise the safe use of the mower and could void the warranty.
2. Electronic copies of this document are available at www.wrightmfg.com
3. To obtain parts see your local dealer. You can find your local Wright dealer by going to www.wrightmfg.com and clicking on the Dealer Locator.

STANDER X CONTENTS



MAIN ASSEMBLY

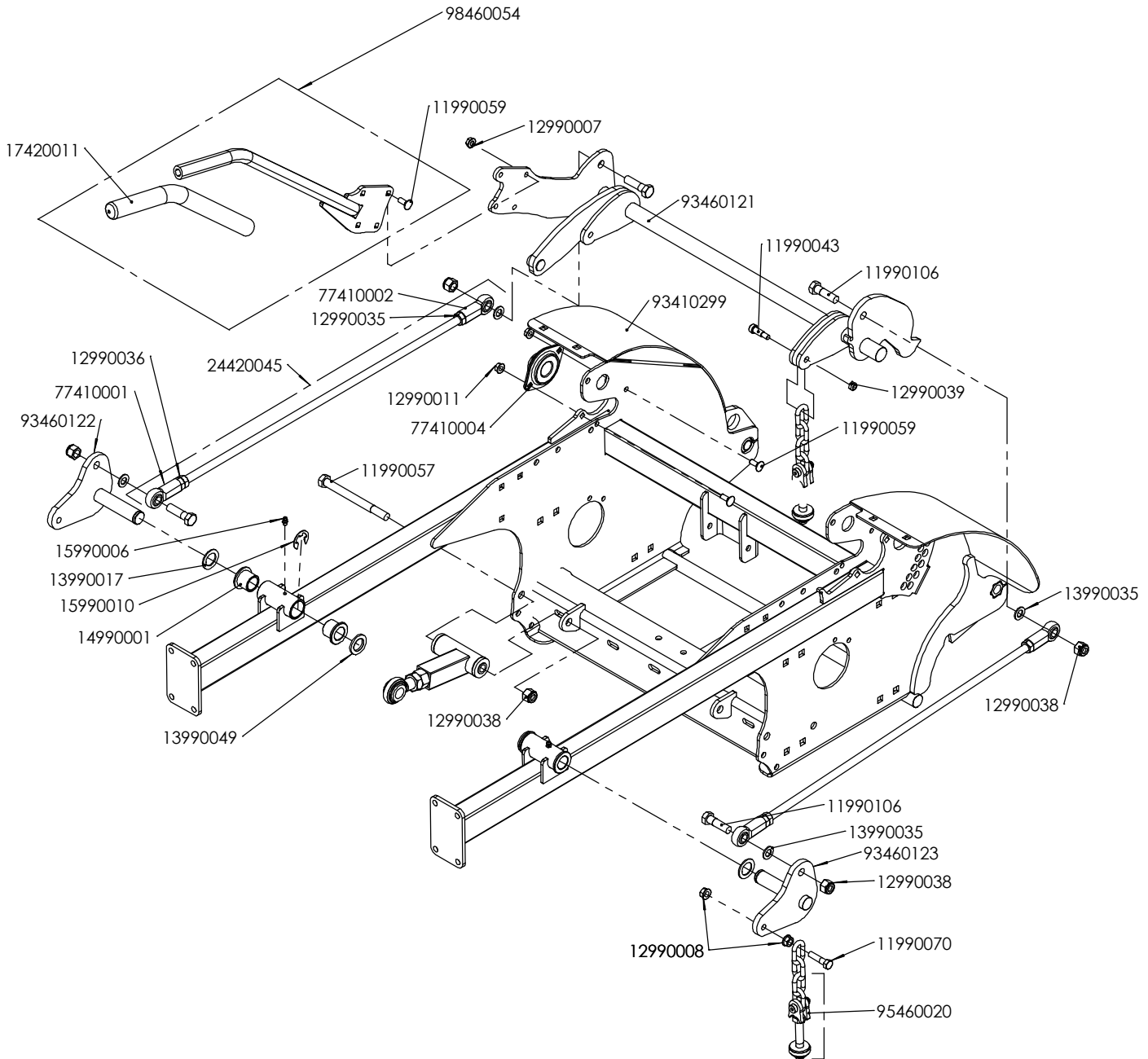
PN	DESCRIPTION	QTY
11990001	BOLT, HEX, 1/4-20 x 5/8 Z5	1
11990030	BOLT, FLANGE, 3/8-16 x 3/4 Z5	8
11990046	BOLT, FLANGE, 3/8-16 x 1 Z8	8
11990053	BOLT, HEX, 3/4-10 X 2 1/4 Z5	2
12990006	NUT, LOCK FLANGE, 1/4-20 Z5	2
12990007	NUT, LOCK FLANGE, 5/16-18 Z5	8
12990008	NUT, LOCK FLANGE, 3/8-16 Z5	8
12990026	NUT, NYLOCK, JAM, 3/4-10 Z5	2
13990009	WASHER, FLAT, USS 1/4 Z5	1
13990015	MACH BUSH, 1/2 ID X 7/8 OD X 18 GA	2
15990009	E-CLIP 1/2	2
16410008	SPRING, EXTENSION, 5/8 x 2 1/2	1
18410012	KNOB, PLASTIC, "T"	1
21420003	DETENT PIN .375 x 2.25"	1
72410001	NUT, LUG 1/2-20	8
72410045	WHEEL ASSEMBLY, BLACK, 20 X 10.00 - 8	2
93410311	BRAKE PULL BAR, WSTX	1
93410315	REAR GUARD, WSTX	1



DECK LIFT ASSEMBLY

PN	DESCRIPTION	QTY
11990043	BOLT, ALLEN, SHOULDER, 3/8 X 3/4	2
11990057	BOLT, HEX, 1/2-20 X 5 1/2 Z5	2
11990059	BOLT, CARRIAGE, 5/16-18 X 3/4 Z5	8
11990070	BOLT, HEX, 3/8-16 X 1 1/2 Z5	2
11990106	BOLT, HEX, 1/2-20 X 1 3/4 Z5	4
12990007	NUT, LOCK FLANGE, 5/16-18 Z5	4
12990008	NUT, LOCK FLANGE, 3/8-16 Z5	4
12990011	NUT, LOCK FLANGE, 5/16-24 Z5	4
12990035	NUT, JAM, 1/2-20, LH, Z5	-
12990036	NUT, JAM, 1/2-20 Z5	-
12990038	NUT, NYLOCK, 1/2-20 Z5	6
12990039	NUT, TOPLOCK, 5/16-18 Z5	2
13990017	MACH BUSH, 7/8 ID X 1 3/8 OD X 14 GA	2
13990035	MACH BUSH, 1/2 ID X 7/8 OD X 14 GA	4
13990049	MACH BUSH, 7/8 ID X 1 3/8 OD X 10 GA	2

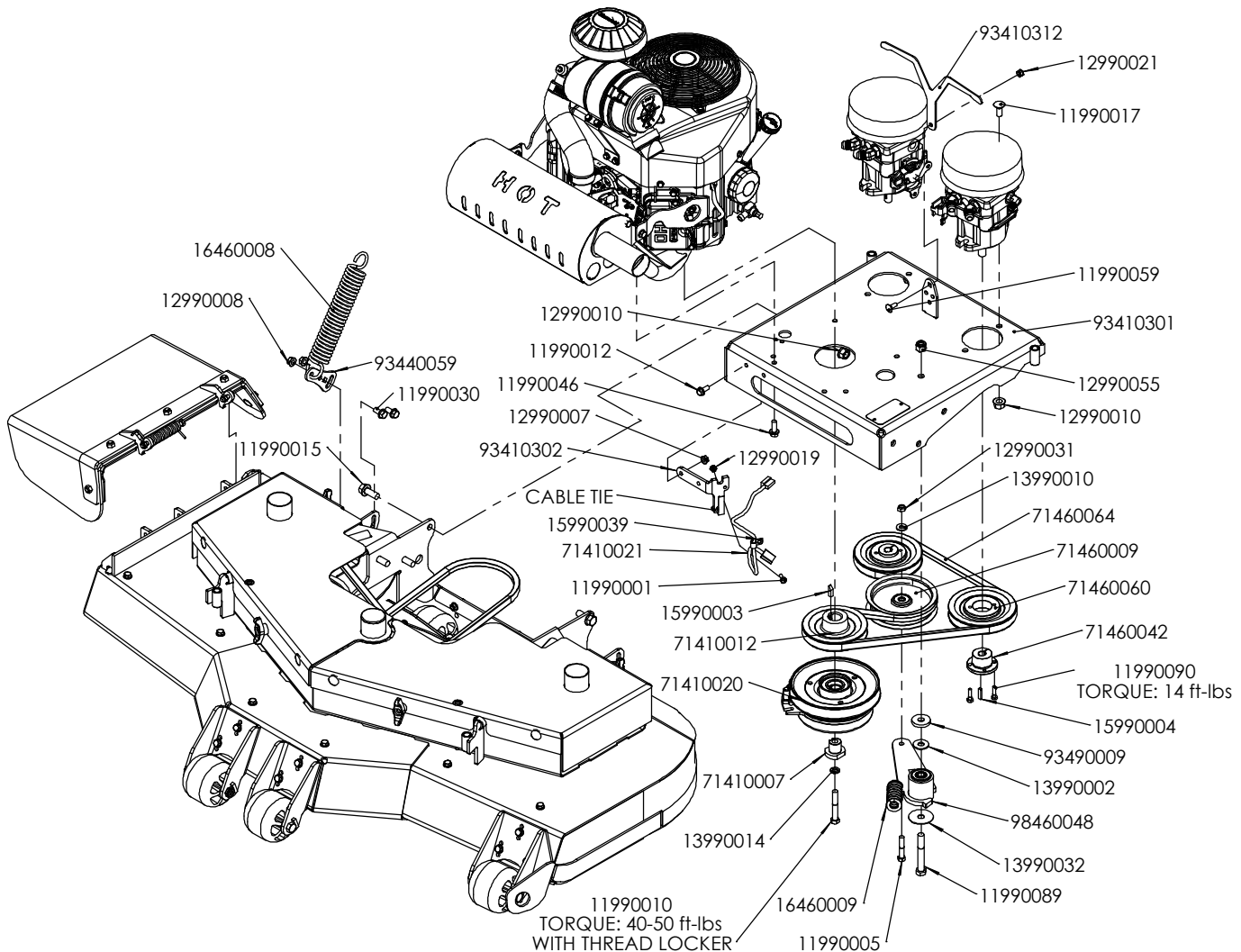
PN	DESCRIPTION	QTY
14990001	BUSHING, BRONZE, 0.8830ID X 1.1240OD X 1L	4
15990006	ZERK, GREASE, 1/4-28	2
15990010	E-CLIP 7/8	2
17420011	GRIP, HANDLE, 3/4 X 14	1
24420045	DECK LIFT ROD ASSEMBLY	2
77410001	ROD END, 1/2-20	-
77410002	ROD END, 1/2-20 LH	-
77410004	BEARING, STAMPED STEEL 2-BLT FLANGE 1"	2
93410299	TRACTOR BODY WELDMENT, WSTX/WSPX	1
93460121	DECK LIFT AXLE WELDMENT, WSTX/WSPX	1
93460122	DECK LIFT ARM, RIGHT, WSTX/WSPX	1
93460123	DECK LIFT ARM, LEFT, WSTX/WSPX	1
95460020	DECK LIFT HANGER ASSEMBLY, 4 LINK	4
98460054	DECK LIFT HANDLE ASSEMBLY, WSTX	1



ENGINE DECK ASSEMBLY

PN	DESCRIPTION	QTY
11990001	BOLT, HEX, 1/4-20 x 5/8 Z5	1
11990005	BOLT, HEX, 3/8-16 x 2 Z5	1
11990010	BOLT, HEX, 7/16-20 x 2 3/4 Z5	1
11990012	BOLT, FLANGE, 5/16-18 X 3/4 Z5	2
11990015	BOLT, FLANGE, 1/2-13 x 1 1/4 Z5	6
11990017	BOLT, CARRIAGE, 7/16-14 X 1 Z5	4
11990030	BOLT, FLANGE, 3/8-16 x 3/4 Z5	4
11990046	BOLT, FLANGE, 3/8-16 x 1 Z8	4
11990059	BOLT, CARRIAGE, 5/16-18 x 3/4 Z5	1
11990089	BOLT, HEX, 1/2-20 x 3 1/2 Z5	1
11990090	BOLT, HEX, 1/4-20 X 1 P8	4
12990007	NUT, LOCK FLANGE, 5/16-18 Z5	2
12990008	NUT, LOCK FLANGE, 3/8-16 Z5	4
12990010	NUT, LOCK FLANGE, 1/2-13 Z5	10
12990019	NUT, NYLOCK, 1/4-20 Z5	1
12990021	NUT, NYLOCK, 5/16-18 Z5	1
12990031	NUT, TOPLOCK, 3/8-16 Z5	1
12990055	NUT, NYLOCK, 1/2-13 Z5	1
13990002	WASHER, FLAT, USS 7/16 Z5	1
13990010	WASHER, FLAT, USS 5/16 Z5	1
13990014	WASHER, LOCK, 7/16 Z5	1

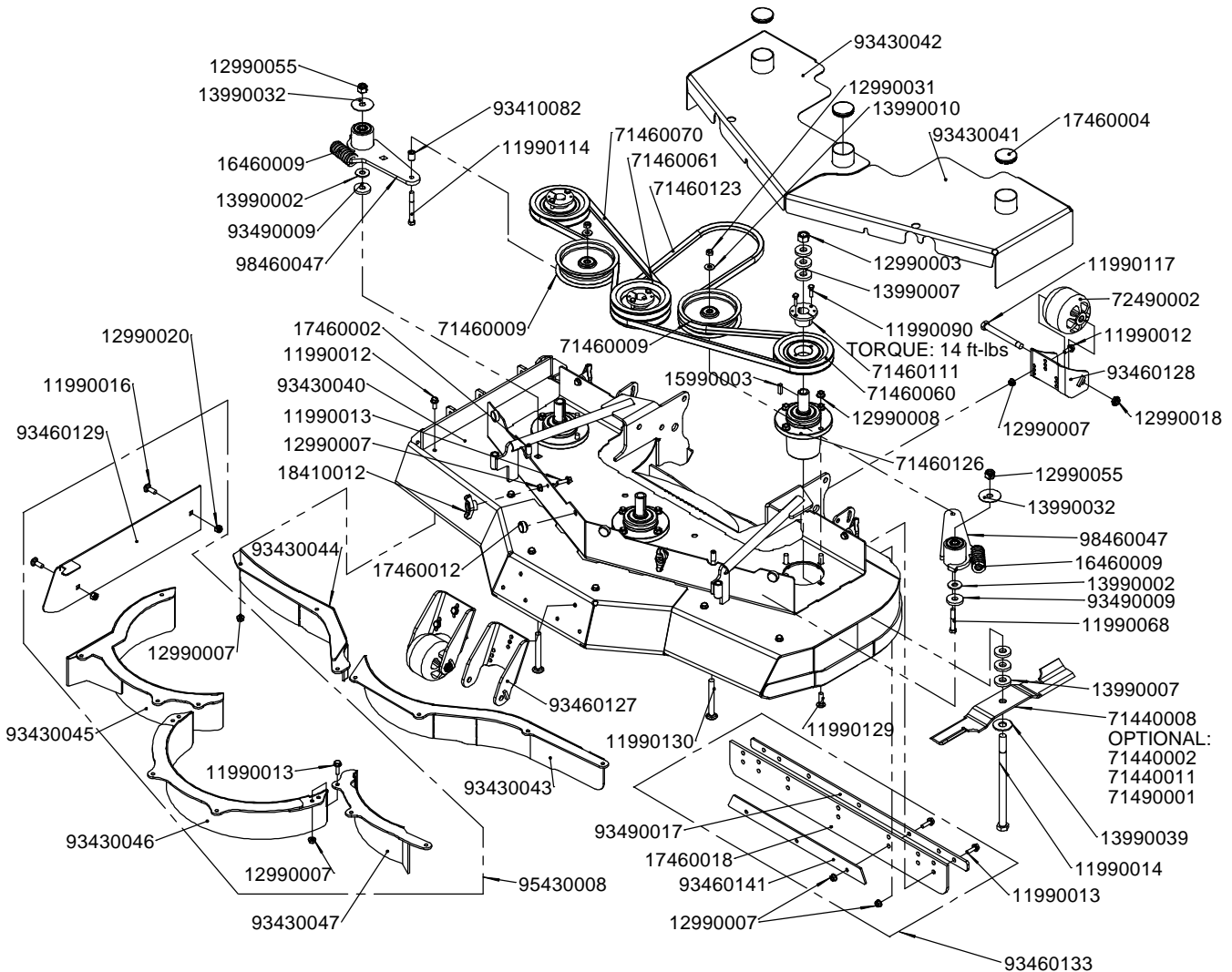
PN	DESCRIPTION	QTY
13990032	WASHER, 1/2 x 2 x 0.062 Z5	1
15990003	MACHINE KEY 1/4 X 1/4 X 1	1
15990004	MACHINE KEY 5MM X 5MM X 25MM	2
15990039	CLIP, VINYL COATED, 3/8 OD	1
16460008	SPRING, DECK LIFT, 1.7 X 9	2
16460009	SPRING, DIE, 2.5	1
71410007	D-SPACER, FOR CLUTCH	1
71410012	PULLEY, 5-1/4" OD X A/B GRV X 1" ENG	1
71410020	CLUTCH, 1 X 6.75, 200FT-LB CW, #5218-243	1
71410021	PIGTAIL, CLUTCH, 19"	1
71460009	PULLEY, IDLER 5 3/4 X 1 1/16 X 3/8 BORE	1
71460042	BUSHING, SPLIT TAPERED, 17 MM SHAFT	2
71460060	PULLEY, SINGLE GROOVE, A/B, H BUSH X 5.5" OD	2
71460064	BELT, WRAPPED, B SECTION, 64.04 EL	1
93410301	ENGINE DECK WELDMENT, WSTX/WSPX	1
93410302	CLUTCH STOP WELDMENT, WSTX/WSPX	1
93410312	FAN RETAINER, WSTX/WSPX	1
93440059	REAR SPRING HANGER, WSTX/WSPX	2
93490009	IDLER ARM WASHER	1
98460048	IDLER ARM ASSEMBLY, RIGHT	1



48 DECK ASSEMBLY

PN	DESCRIPTION	QTY
11990012	BOLT, FLANGE, 5/16-18 X 3/4 Z5	17
11990013	BOLT, FLANGE, 5/16-18 X 1 Z5	15
11990014	BOLT, HEX, 5/8-11 X 10 Z5	3
11990016	BOLT, CARRIAGE, 3/8-16 X 1 Z5	-
11990068	BOLT, HEX, 3/8-16 X 2 1/4 Z5	1
11990090	BOLT, HEX, 1/4-20 X 1 P8	6
11990114	BOLT, HEX, 3/8-16 X 3 1/4 Z5	1
11990117	BOLT, HEX, 1/2-20 X 4 1/2 Z5, CUSTOM	4
11990129	BOLT, CARRIAGE, 3/8-16 X 1 1/4 Z5	12
11990130	BOLT, CARRIAGE, 1/2-13 X 4 Z5	2
12990003	NUT, HEX, 5/8-11 Z5	3
12990007	NUT, LOCK FLANGE, 5/16-18 Z5	32
12990008	NUT, LOCK FLANGE, 3/8-16 Z5	12
12990018	NUT, NYLOCK, 1/2 - 20 Z, LOW PROFILE	4
12990020	NUT, NYLOCK, 3/8-16 Z5	-
12990031	NUT, TOPLOCK, 3/8-16 Z5	2
12990055	NUT, NYLOCK, 1/2-13 Z5	2
13990002	WASHER, FLAT, USS 7/16 Z5	2
13990007	BLADE SPACER, 5/8 X 1/4	18
13990010	WASHER, FLAT, USS 5/16 Z5	2
13990032	WASHER, 1/2 x 2 x 0.062 Z5	2
13990039	WASHER, 5/8 Z8	3
15990003	MACHINE KEY 1/4 X 1/4 X 1	3
16460009	SPRING, DIE, 2.5	2
17460002	CAP, VINYL 3/8 X 1	2
17460004	CAP, METAL, 2"	3
17460012	BUMPER, RUBBER, BLACK	4
17460018	STRIPING RUBBER, ADJUSTABLE, 48/52	1
18410012	KNOB, PLASTIC, "T"	4
71440002	BLADE, 16 1/2"	-

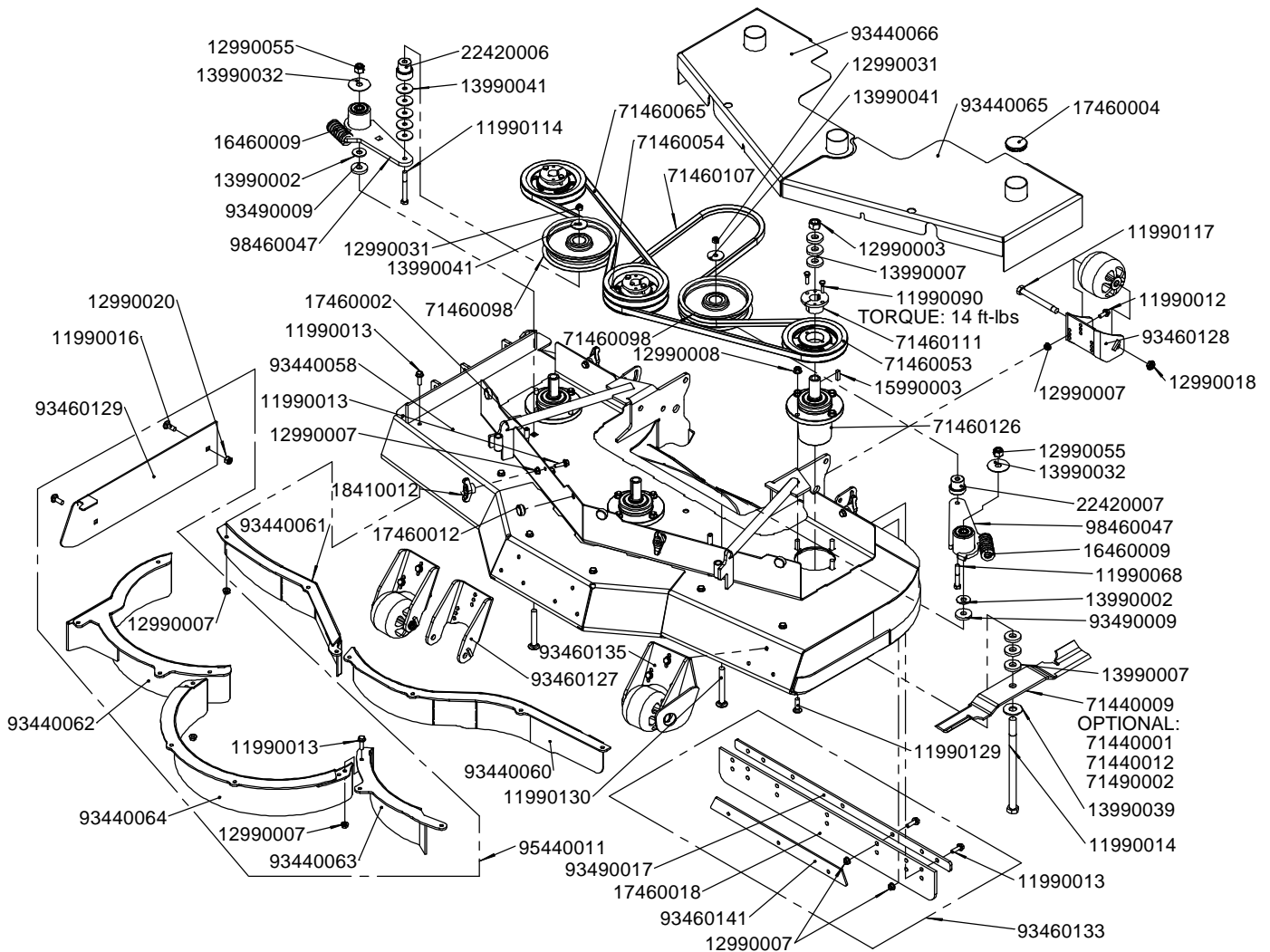
PN	DESCRIPTION	QTY
71440008	BLADE, OFFSET, FUSION, 16 1/2	3
71440011	BLADE, CE ROLLED AIRFOIL LOW LIFT, 16 1/2	-
71460009	PULLEY, IDLER 5 3/4 X 1 1/16 X 3/8 BORE	2
71460060	PULLEY, SINGLE GROOVE, A/B, H BUSH, X 5.5" OD	2
71460061	PULLEY, DOUBLE GROOVE, A/B, H BUSH X 5.5" OD	1
71460070	BELT, WRAPPED, B SECTION, 52.04 EL	1
71460111	BUSHING, H, SPLIT TAPERED, MODIFIED, 1"	3
71460123	BELT, WRAPPED, B SECTION, 78.04 EL	1
71460126	SPINDLE ASSEMBLY, THRU BOLT	3
71490001	BLADE, MULCHING, 16 1/2"	-
72490002	WHEEL, PLASTIC, ANTI-SCALP, SQUARE	4
93410082	SPANNER, .625 X .78125	1
93430040	CUTTER DECK WELDMENT, 48", WSTX/WSPX	1
93430041	DECK COVER, LEFT, 48" WSTX/WSPX	1
93430042	DECK COVER, RIGHT, 48" WSTX/WSPX	1
93430043	FRONT BAFFLE, 48" AERO-CORE, TRIM	1
93430044	FRONT BAFFLE, 48" AERO-CORE, DISCHARGE	1
93430045	MULCH BAFFLE, 48" AERO-CORE, RIGHT	-
93430046	MULCH BAFFLE, 48" AERO-CORE, CENTER	-
93430047	MULCH BAFFLE, 48" AERO-CORE, LEFT	-
93460127	BRACKET, SCALP ROLLER, FRONT	2
93460128	BRACKET, SCALP ROLLER, REAR	2
93460129	MULCH BLOCK PLATE, AERO-CORE	-
93460133	STRIPING KIT, 48/52" AERO-CORE	-
93460141	STRIPING MIDDLE PLATE	1
93490009	IDLER ARM WASHER	2
93490017	STRIPING PLATE, BACK, 52", AERO-CORE	1
95430008	MULCH KIT, 48", AERO-CORE DECK	-
98460047	IDLER ARM ASSEMBLY, LEFT	2



52 DECK ASSEMBLY

PN	DESCRIPTION	QTY
11990012	BOLT, FLANGE, 5/16-18 X 3/4 Z5	15
11990013	BOLT, FLANGE, 5/16-18 X 1 Z5	19
11990014	BOLT, HEX, 5/8-11 X 10 Z5	3
11990016	BOLT, CARRIAGE, 3/8-16 X 1 Z5	-
11990068	BOLT, HEX, 3/8-16 X 2 1/4 Z5	1
11990090	BOLT, HEX, 1/4-20 X 1 P8	6
11990114	BOLT, HEX, 3/8-16 X 3 1/4 Z5	1
11990117	BOLT, HEX, 1/2-20 X 4 1/2 Z5, CUSTOM	5
11990129	BOLT, CARRIAGE, 3/8-16 X 1 1/4 Z5	12
11990130	BOLT, CARRIAGE, 1/2-13 X 4 Z5	2
12990003	NUT, HEX, 5/8-11 Z5	3
12990007	NUT, LOCK FLANGE, 5/16-18 Z5	34
12990008	NUT, LOCK FLANGE, 3/8-16 Z5	12
12990018	NUT, NYLOCK, 1/2 - 20 Z, LOW PROFILE	5
12990020	NUT, NYLOCK, 3/8-16 Z5	-
12990031	NUT, TOPLOCK, 3/8-16 Z5	2
12990055	NUT, NYLOCK, 1/2-13 Z5	2
13990002	WASHER, FLAT, USS 7/16 Z5	2
13990007	BLADE SPACER, 5/8 X 1/4	18
13990032	WASHER, 1/2 x 2 x 0.062 Z5	2
13990039	WASHER, 5/8 Z8	3
13990041	WASHER, 3/8 X 1 1/2 X 0.15 Z5	7
15990003	MACHINE KEY 1/4 X 1/4 X 1	3
16460009	SPRING, DIE, 2.5	2
17460002	CAP, VINYL 3/8 X 1	2
17460004	CAP, METAL, 2"	3
17460012	BUMPER, RUBBER, BLACK	4
17460018	STRIPING RUBBER, ADJUSTABLE, 48/52	1
18410012	KNOB, PLASTIC, "T"	4
22420006	BORE ADAPTER, 30mm	1

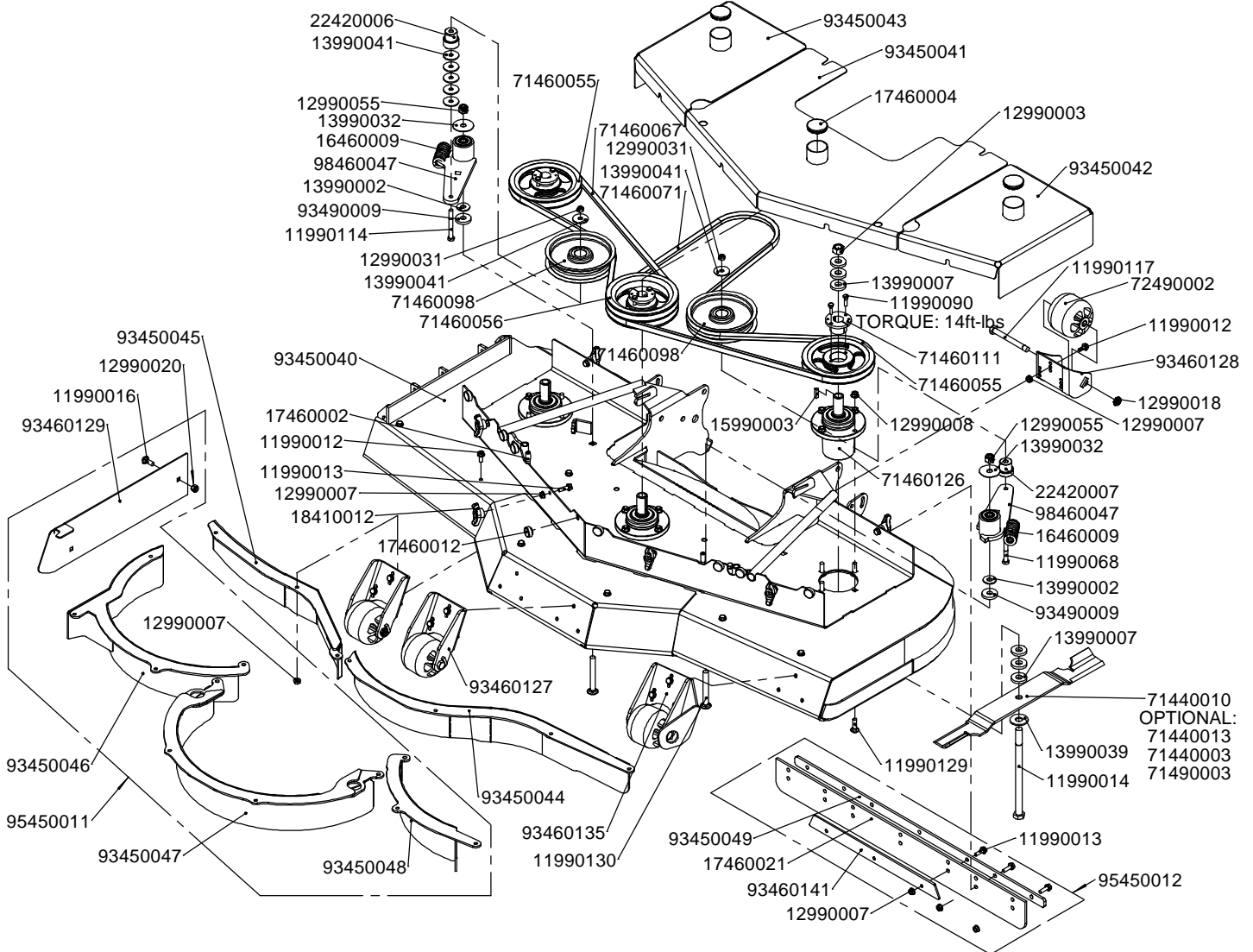
PN	DESCRIPTION	QTY
22420007	BORE ADAPTER, 30 mm x 1.319 L	1
71440001	BLADE, 18"	-
71440009	BLADE, OFFSET, FUSION, 18"	3
71440012	BLADE, CE ROLLED AIRFOIL LOW LIFT, 18"	-
71460053	PULLEY, SINGLE GROOVE, A/B, H BUSH X 6" OD	2
71460054	PULLEY, DOUBLE GROOVE, A/B, H BUSH X 6" OD	1
71460065	BELT, WRAPPED, B SECTION, 57.04 EL	1
71460098	PULLEY, FLAT IDLER, WIDE, 6"	2
71460107	BELT, WRAPPED, B SECTION, 84.04 EL	1
71460111	BUSHING, H, SPLIT TAPERED, MODIFIED, 1"	3
71460126	SPINDLE ASSEMBLY, THRU BOLT	3
71490002	BLADE, MULCHING, 18"	-
72490002	WHEEL, PLASTIC, ANTI-SCALP, SQUARE	5
93440058	CUTTER DECK WELDMENT, 52", WSTX/WSPX	1
93440060	FRONT BAFFLE, 52" AERO-CORE, TRIM	1
93440061	FRONT BAFFLE, 52" AERO-CORE, DISCHARGE	1
93440062	MULCH BAFFLE, 52" AERO-CORE, RIGHT	-
93440063	MULCH BAFFLE, 52" AERO-CORE, LEFT	-
93440064	MULCH BAFFLE, 52" AERO-CORE, CENTER	-
93440065	DECK COVER, LEFT, 52" WSTX/WSPX	1
93440066	DECK COVER, RIGHT, 52" WSTX/WSPX	1
93460127	BRACKET, SCALP ROLLER, FRONT	2
93460128	BRACKET, SCALP ROLLER, REAR	2
93460129	MULCH BLOCK PLATE, AERO-CORE	-
93460133	STRIPE KIT, 48/52" AERO-CORE	-
93460135	BRACKET, SCALP ROLLER, LEFT	1
93460141	STRIPING MIDDLE PLATE	1
93490009	IDLER ARM WASHER	2
93490017	STRIPING PLATE, BACK, 52", AERO-CORE	1
95440011	MULCH KIT, 52", AERO-CORE DECK	-
98460047	IDLER ARM ASSEMBLY, LEFT	2



61 DECK ASSEMBLY

PN	DESCRIPTION	QTY
11990012	BOLT, FLANGE, 5/16-18 X 3/4 Z5	20
11990013	BOLT, FLANGE, 5/16-18 X 1 Z5	17
11990014	BOLT, HEX, 5/8-11 X 10 Z5	3
11990016	BOLT, CARRIAGE, 3/8-16 X 1 Z5	-
11990068	BOLT, HEX, 3/8-16 X 2 1/4 Z5	1
11990090	BOLT, HEX, 1/4-20 X 1 P8	6
11990114	BOLT, HEX, 3/8-16 X 3 1/4 Z5	1
11990117	BOLT, HEX, 1/2-20 X 4 1/2 Z5, CUSTOM	5
11990129	BOLT, CARRIAGE, 3/8-16 X 1 1/4 Z5	12
11990130	BOLT, CARRIAGE, 1/2-13 X 4 Z5	2
12990003	NUT, HEX, 5/8-11 Z5	3
12990007	NUT, LOCK FLANGE, 5/16-18 Z5	37
12990008	NUT, LOCK FLANGE, 3/8-16 Z5	12
12990018	NUT, NYLOCK, 1/2 - 20 Z, LOW PROFILE	5
12990020	NUT, NYLOCK, 3/8-16 Z5	-
12990031	NUT, TOPLOCK, 3/8-16 Z5	2
12990055	NUT, NYLOCK, 1/2-13 Z5	2
13990002	WASHER, FLAT, USS 7/16 Z5	2
13990007	BLADE SPACER, 5/8 X 1/4	18
13990032	WASHER, 1/2 x 2 x 0.062 Z5	2
13990039	WASHER, 5/8 Z8	3
13990041	WASHER, 3/8 X 1 1/2 X 0.15 Z5	7
15990003	MACHINE KEY 1/4 X 1/4 X 1	3
16460009	SPRING, DIE, 2.5	2
17460002	CAP, VINYL 3/8 X 1	2
17460004	CAP, METAL, 2"	3
17460012	BUMPER, RUBBER, BLACK	8
17460021	STRIPING RUBBER, ADJUSTABLE, 61	1
18410012	KNOB, PLASTIC, "T"	6
22420006	BORE ADAPTER, 30mm	1
22420007	BORE ADAPTER, 30 mm X 1.319 L	1

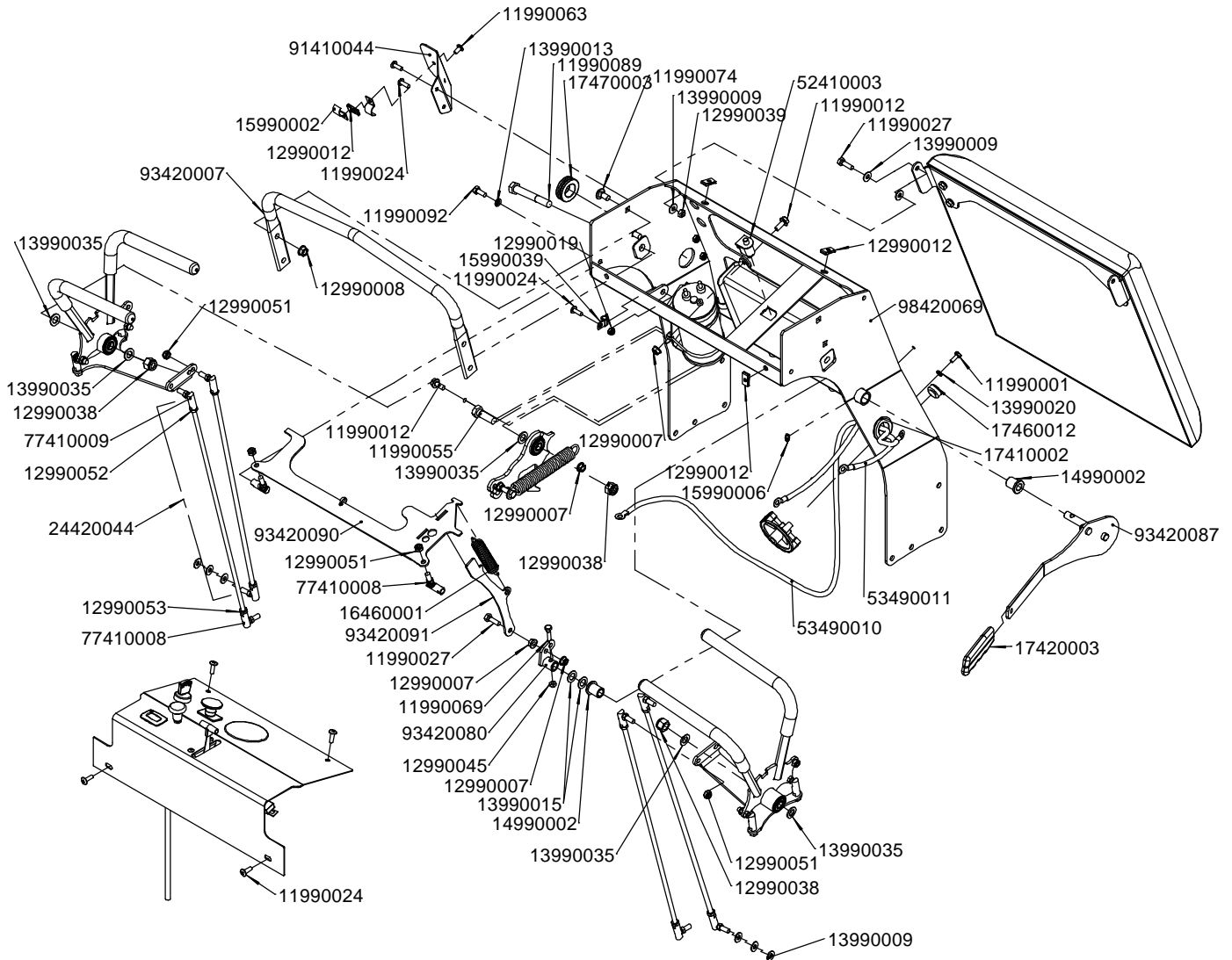
PN	DESCRIPTION	QTY
71440003	BLADE, 21"	-
71440010	BLADE, OFFSET, FUSION, 21"	3
71440013	BLADE, CE ROLLED AIRFOIL LOW LIFT, 21"	-
71460055	PULLEY, SINGLE GROOVE, A/B, H BUSH X 7" OD	2
71460056	PULLEY, DOUBLE GROOVE, A/B, H BUSH X 7" OD	1
71460067	BELT, WRAPPED, B SECTION, 66.04 EL	1
71460071	BELT, WRAPPED, B SECTION, 96.04 EL	1
71460098	PULLEY, FLAT IDLER, WIDE, 6"	2
71460111	BUSHING, H, SPLIT TAPERED, MODIFIED, 1"	3
71460126	SPINDLE ASSEMBLY, THRU BOLT	3
71490003	BLADE, MULCHING, 21"	-
72490002	WHEEL, PLASTIC, ANTI-SCALP, SQUARE	5
93450040	CUTTER DECK WELDMENT, 61", WSTX/WSPX	1
93450041	DECK COVER, CENTER 61" WSTX/WSPX	1
93450042	DECK COVER, LEFT, 61" WSTX/WSPX	1
93450043	DECK COVER, RIGHT, 61" WSTX/WSPX	1
93450044	FRONT BAFFLE, 61" AERO-CORE, TRIM	1
93450045	FRONT BAFFLE, 61" AERO-CORE, DISCHARGE	1
93450046	MULCH BAFFLE, 61" AERO-CORE, RIGHT	-
93450047	MULCH BAFFLE, 61" AERO-CORE, CENTER	-
93450048	MULCH BAFFLE, 61" AERO-CORE, LEFT	-
93450049	STRIPING BACK PLATE, 61", WSTX/WSPX	1
93460127	BRACKET, SCALP ROLLER, FRONT	2
93460128	BRACKET, SCALP ROLLER, REAR	2
93460129	MULCH BLOCK PLATE, AERO-CORE	-
93460135	BRACKET, SCALP ROLLER, LEFT	1
93460141	STRIPING MIDDLE PLATE	1
93490009	IDLER ARM WASHER	2
95450011	MULCH BAFFLE KIT, 61" AERO-CORE	-
95450012	STRIPE KIT, 61" AERO-CORE	-
98460047	IDLER ARM ASSEMBLY, LEFT	2



UPRIGHT ASSEMBLY

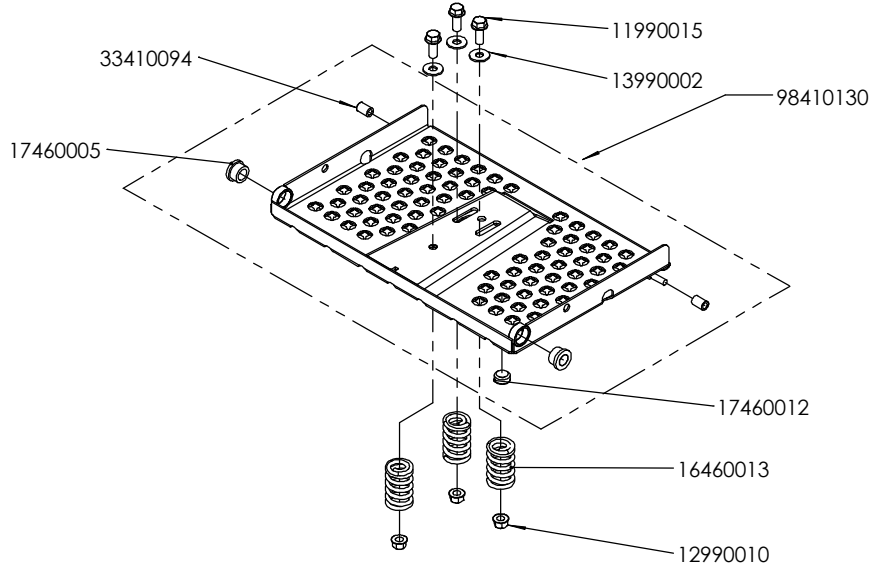
PN	DESCRIPTION	QTY
11990001	BOLT, HEX, 1/4-20 x 5/8 Z5	2
11990012	BOLT, FLANGE, 5/16-18 X 3/4 Z5	5
11990024	SCREW, TRUSS HEAD, PHILIPS, 1/4-20 X 3/4 SS	7
11990027	BOLT, HEX, 5/16-18 X 1 Z5	3
11990055	BOLT, HEX, 1/2-20 x 1 1/2 Z5	1
11990063	SCREW, TRUSS HEAD, PHILIPS, 1/4-20 x 1/2 SS	1
11990069	BOLT, HEX, 1/4-20 x 1 Z5	1
11990074	BOLT, CARRIAGE, 3/8-16 x 3/4 Z5	4
11990089	BOLT, HEX, 1/2-20 x 3 1/2 Z5	2
11990092	BOLT, HEX, 5/16-24 x 3/4 Z5	2
12990007	NUT, LOCK FLANGE, 5/16-18 Z5	7
12990008	NUT, LOCK FLANGE, 3/8-16 Z5	4
12990012	NUT, U, 1/4-20, 11GA	5
12990019	NUT, NYLOCK, 1/4-20 Z5	3
12990038	NUT, NYLOCK, 1/2-20 Z5	3
12990039	NUT, TOPLOCK, 5/16-18 Z5	2
12990045	NUT, TOPLOCK, 1/4-20 Z5	1
12990051	NUT, NYLOCK, 5/16-24 Z5	7
12990052	NUT, JAM, 5/16-24, LH, Z	-
12990053	NUT, JAM, 5/16-24 Z	-
13990009	WASHER, FLAT, USS 1/4 Z5	12
13990013	WASHER, LOCK, 5/16 Z5	2
13990015	MACH BUSH, 1/2 ID X 7/8 OD X 18 GA	2
13990020	WASHER, LOCK 1/4 Z	2

PN	DESCRIPTION	QTY
13990035	MACH BUSH, 1/2 ID X 7/8 OD X 14 GA	5
14990002	BUSHING, BRONZE, 0.5060ID X 0.7480OD X 1L	2
15990002	CLIP, HALF 5/8	2
15990006	ZERK, GREASE, 1/4-28	1
15990039	CLIP, VINYL COATED, 3/8 OD	1
16460001	SPRING, EXTENSION, 3/4 X 3 1/2	1
17410002	GROMMET, BATTERY CABLES	1
17420003	GRIP, BRAKE HANDLE	1
17460012	BUMPER, RUBBER, BLACK	2
17470003	GROMMET, RUBBER, 1.0 x 1.375 x 0.1875"	1
24420044	CONTROL ROD ASSEMBLY	4
52410003	SWITCH, OPC, 2 LB INTERNAL SPRING, BLACK	1
53490010	CABLE, BATTERY, RED 38' W/ LUG INSUL.	1
53490011	CABLE, BATTERY, BLACK 18 1/2"	2
77410008	ROD END, 5/16-24	2
77410009	ROD END, 5/16-24 LH	-
91410044	PROTECTOR PLATE, UPRIGHT FUEL LINE, WSTX	1
93420007	STATIONARY HANDLEBAR	1
93420080	CONTROL LOCK LEVER	1
93420087	BRAKE HAND LEVER	1
93420090	CONTROL LEVER LOCK	1
93420091	CONTROL RELEASE BAR	1
98420069	UPRIGHT ASSEMBLY, WSTX	-



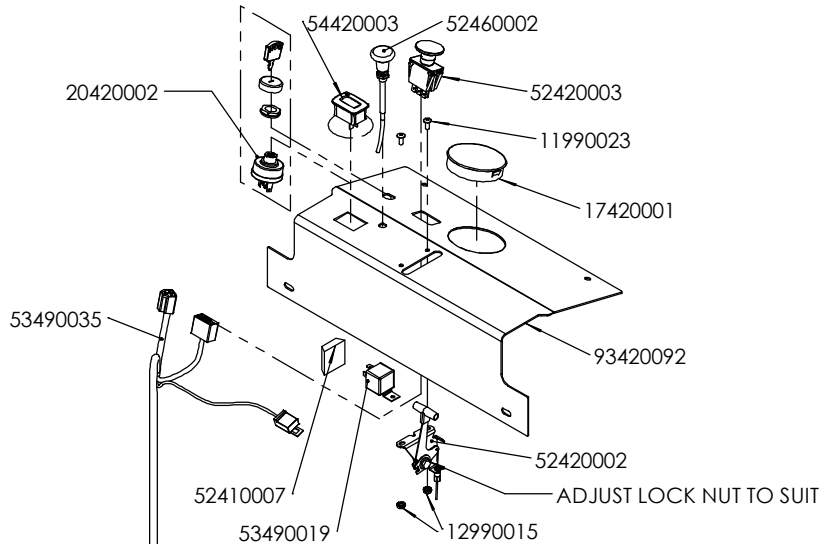
PLATFORM ASSEMBLY

PN	DESCRIPTION	QTY
11990015	BOLT, FLANGE, 1/2-13 x 1 1/4 Z5	3
12990010	NUT, LOCK FLANGE, 1/2-13 Z5	3
13990002	WASHER, FLAT, USS 7/16 Z5	3
16460013	SPRING, COMP, 1.8 X 2.7	3
17460005	BUSHING, URATHANE, 3/4 X 1 1/8 X 3/4	2
17460012	BUMPER, RUBBER, BLACK	1
33410094	PLATFORM STOP, HOSE, 3/8 x 7/8	2
98410130	PLATFORM ASSEMBLY	1



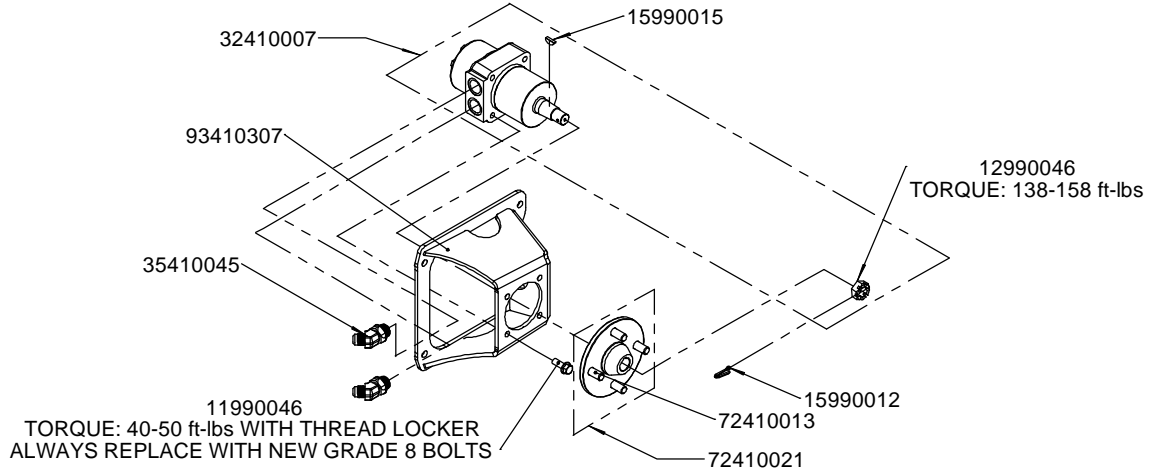
INSTRUMENT PANEL

PN	DESCRIPTION	QTY
11990023	SCREW, TRUSS HEAD, PHILIPS, 10-32 X 1/2 Z	2
12990015	NUT, KEP 10-32 Z5	2
17420001	PLUG, PANEL, BLACK, 3"	1
20420002	IGNITION SWITCH, FOR ELECTRIC START	1
52410007	MODULE, BLADE DELAY	1
52420002	THROTTLE CABLE	1
52420003	SWITCH, BLADE ON/OFF, RED	1
52460002	CHOKE CABLE	1
53490019	RELAY, 40 AMP, SEALED W/ RESISTOR	1
53490035	HARNESS, 1 PC, ELEC	1
54420003	HOUR METER, DIGITAL	1
93420092	INSTRUMENT PANEL	1



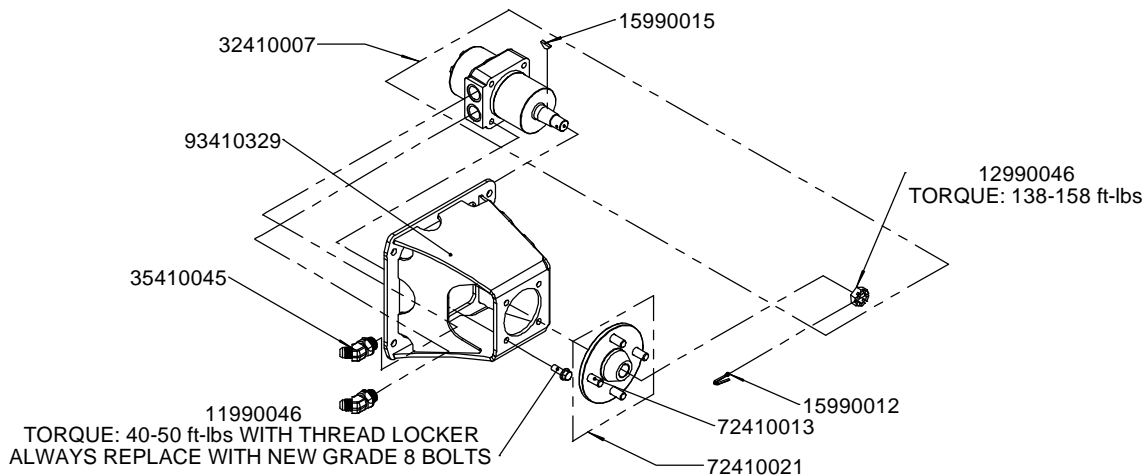
MOTOR SUPPORT ASSEMBLY FOR 48" AND 52"

PN	DESCRIPTION	QTY
11990046	BOLT, FLANGE, 3/8-16 x 1 Z8	4
12990046	NUT, CASTLE, 3/4-20	1
15990012	COTTER PIN 1/8 x 2	1
15990015	WOODRUFF KEY, 3/16 x 3/4, SAE J502	1
32410007	HYDRO MOTOR, 15P	1
35410045	FITTING, -10 MORB X -8 MJIC, 45 DEGREE	2
72410013	STUD FOR TAPERED HUB	4
72410021	WHEEL HUB, 1" SHAFT, NO OFFSET	1
93410307	WHEEL MOTOR SUPPORT, WSTX/WSPX	1



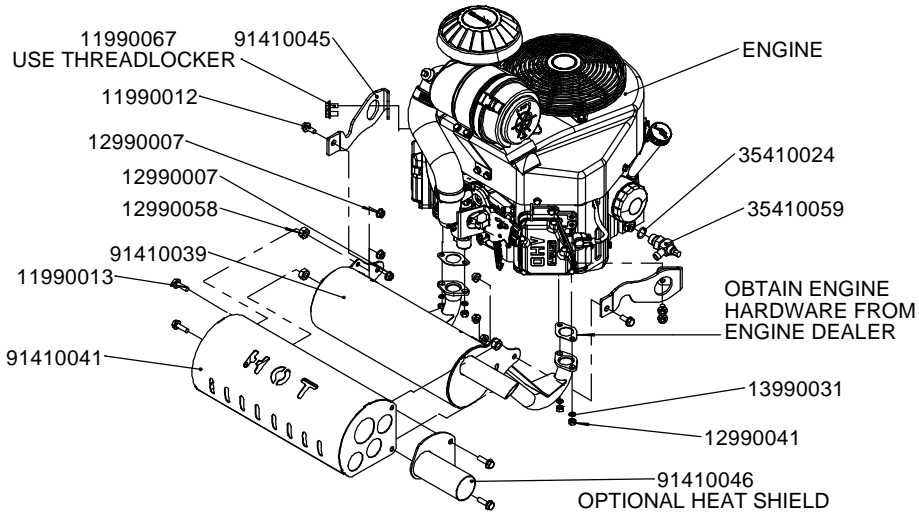
MOTOR SUPPORT ASSEMBLY FOR 61"

PN	DESCRIPTION	QTY
11990046	BOLT, FLANGE, 3/8-16 x 1 Z8	4
12990046	NUT, CASTLE, 3/4-20	1
15990012	COTTER PIN 1/8 x 2	1
15990015	WOODRUFF KEY, 3/16 x 3/4, SAE J502	1
32410007	HYDRO MOTOR, 15P	1
35410045	FITTING, -10 MORB X -8 MJIC, 45 DEGREE	2
72410013	STUD FOR TAPERED HUB	4
72410021	WHEEL HUB, 1" SHAFT, NO OFFSET	1
93410329	WHEEL MOTOR SUPPORT, 61", WSTX/WSPX	1



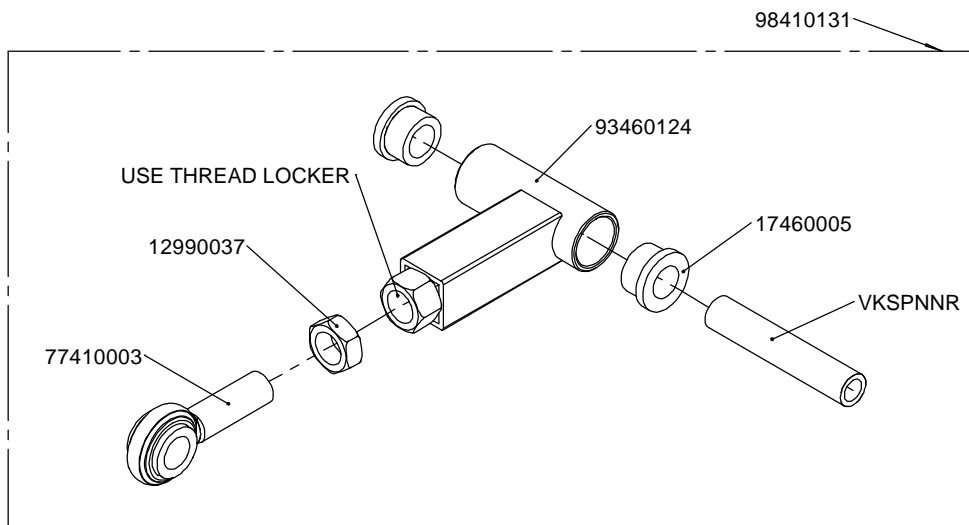
ENGINE ASSEMBLY

PN	DESCRIPTION	QTY
11990012	BOLT, FLANGE, 5/16 -18 X 3/4 Z5	2
11990013	BOLT, FLANGE, 5/16-18 X 1 Z5	4
11990067	BOLT, FLANGE, M8-1.25 x 15mm Z10.9	4
12990007	NUT, LOCK FLANGE, 5/16-18 Z5	6
12990041	NUT, HEX, M8-1.25 SS	4
12990058	NUT, HEX 3/8-16 Z2, HEAVY	4
13990031	WASHER, LOCK, M8 SS	4
35410024	O-RING, FOR KAWASAKI OIL DRAIN ADAPT	1
35410059	OIL DRAIN VALVE - M20 X 2.5 THD	1
91410039	MUFFLER, FS AND FX KAW, 2010 CARB	1
91410041	HEAT SHIELD, FS AND FX KAW	1
91410045	MUFFLER BRACKET, FS AND FX KAW	2
91410046	HEAT SHIELD PIPE GUARD WELDMNT	-
ENGINE	ENGINE, OBTAIN FROM ENGINE DEALER	1



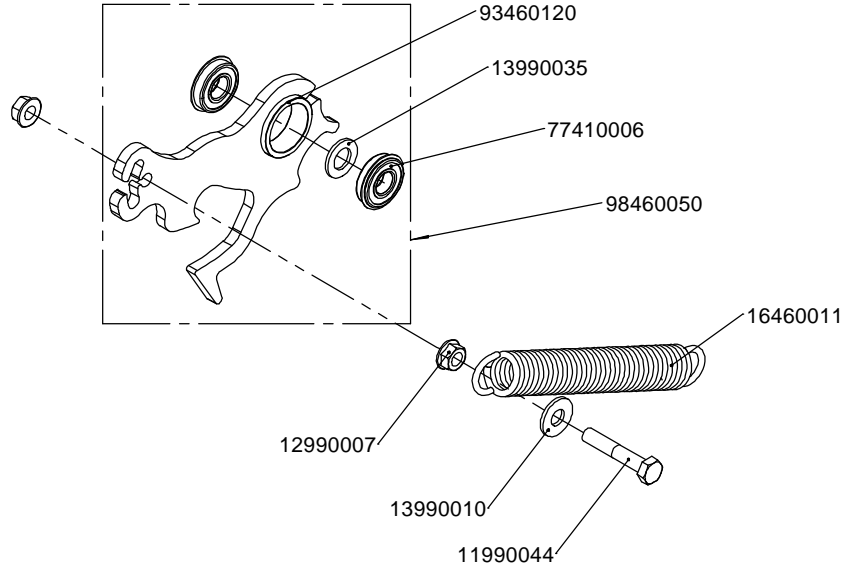
CONTROL ARM ASSEMBLY

PN	DESCRIPTION	QTY
12990037	NUT, JAM, 3/4-16 Z5	1
17460005	BUSHING, URATHANE, 3/4 X 1 1/8 X 3/4	2
77410003	ROD END, 3/4-16	1
93460124	CONTROL ARM WELDMNT, WSTX/WSPX	1
98410131	CONTROL ARM ASSEMBLY, WSTX/WSPX	-
VKSPNNR	SPANNER, 3/4" X 1/2" X 4"	1



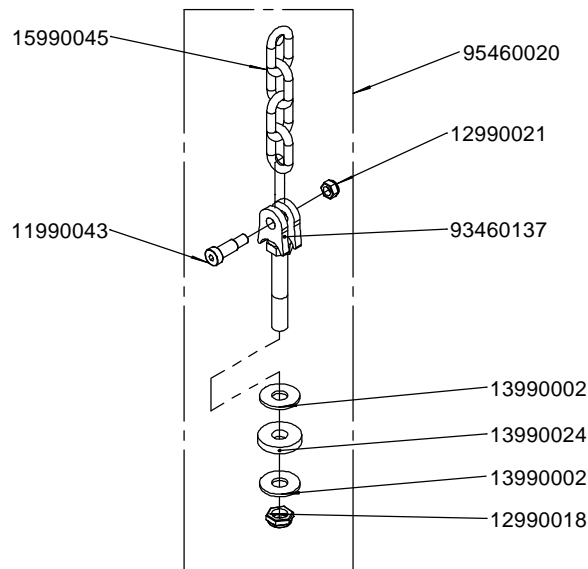
DECK LATCH ASSEMBLY

PN	DESCRIPTION	QTY
11990044	BOLT, HEX, 5/16-18 x 1 3/4 Z5	1
12990007	NUT, LOCK FLANGE, 5/16-18 Z5	2
13990010	WASHER, FLAT, USS 5/16 Z5	1
13990035	MACH BUSH, 1/2 ID X 7/8 OD X 14 GA	1
16460011	SPRING, EXT, 0.945 X 0.136 X 6.45	1
77410006	BEARING, BALL SEALED W/ SNAP RING	2
93460120	DECK LIFT LATCH WELDMNT, WSTX/WSPX	1
98460050	DECK LIFT LATCH ASSEMBLY, WSTX/WSPX	-



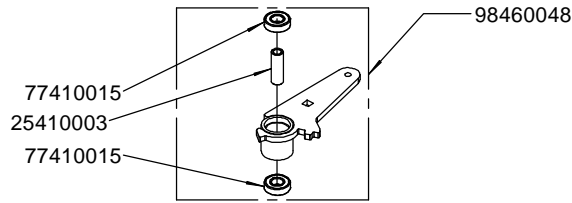
DECK HANGER ASSEMBLY

PN	DESCRIPTION	QTY
11990043	BOLT, ALLEN, SHOULDER, 3/8 X 3/4	1
12990018	NUT, NYLOCK, 1/2 - 20 Z, LOW PROFILE	1
12990021	NUT, NYLOCK, 5/16-18 Z5	1
13990002	WASHER, FLAT, USS 7/16 Z5	2
13990024	WASHER, NEOPRENE 1/2" X 1 3/8" X 1/4"	1
15990045	CHAIN, 1/4 x 4 LINK, GRADE 70	1
93460137	DECK HANGER WELDMNT	1
95460020	DECK LIFT HANGER ASSEMBLY, 4 LINK	-



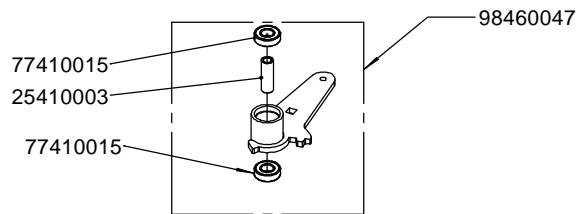
RIGHT IDLER ARM ASSEMBLY

PN	DESCRIPTION	QTY
25410003	SPANNER, CIS BEARING	1
77410015	BEARING, BALL, 1630	2
98460048	IDLER ARM ASSEMBLY, RIGHT	1



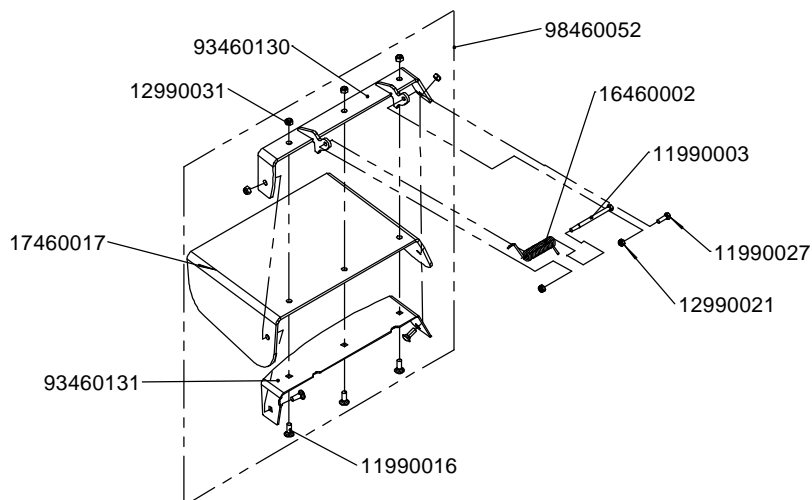
LEFT IDLER ARM ASSEMBLY

PN	DESCRIPTION	QTY
25410003	SPANNER, CIS BEARING	1
77410015	BEARING, BALL, 1630	2
98460047	IDLER ARM ASSEMBLY, LEFT	1



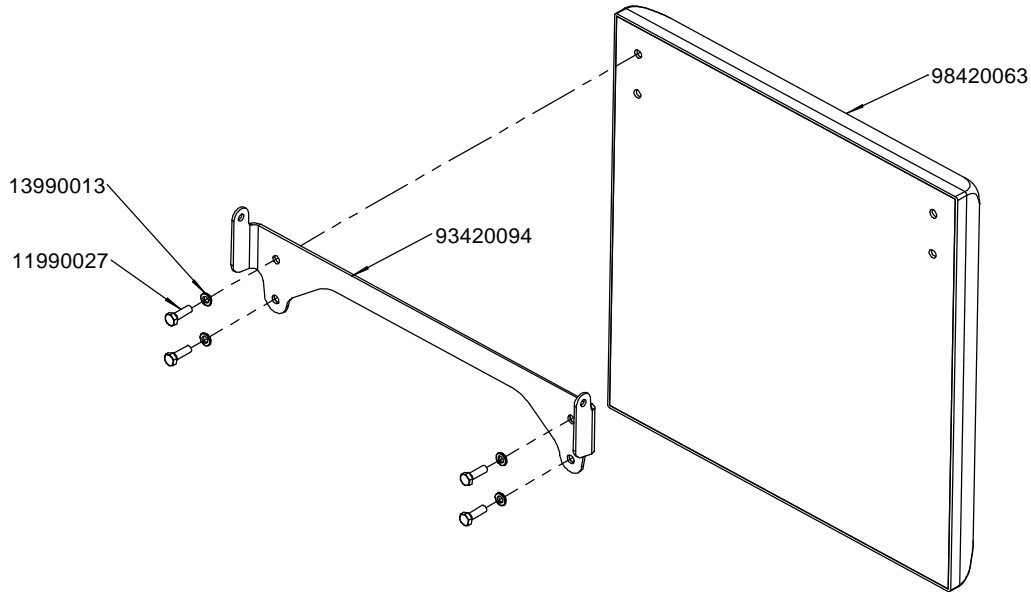
CHUTE ASSEMBLY

PN	DESCRIPTION	QTY
11990003	BOLT, HEX, 5/16-18 x 4 1/2 Z5	1
11990016	BOLT, CARRIAGE, 3/8-16 X 1 Z5	5
11990027	BOLT, HEX, 5/16-18 X 1 Z5	1
12990021	NUT, NYLOCK, 5/16-18 Z5	2
12990031	NUT, TOPLOCK, 3/8-16 Z5	5
16460002	SPRING, TORSION FOR CHUTE DEFLECTOR	1
17460017	CHUTE DEFLECTOR, RUBBER PC ONLY	1
93460130	BRACKET, FLEXIBLE CHUTE DEFLECTOR	1
93460131	FLEXIBLE CHUTE DEFLECTOR BOTTOM FLANGE	1
98460052	FLEXIBLE CHUTE DEFLECTOR ASSEMBLY	-



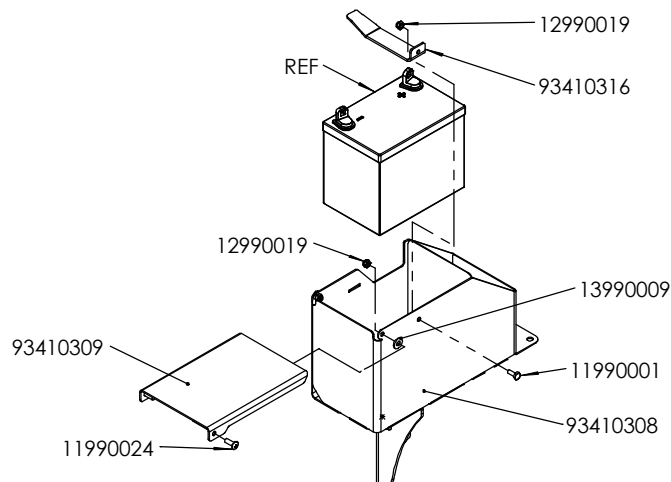
UPRIGHT PAD

PN	DESCRIPTION	QTY
11990027	BOLT, HEX, 5/16-18 X 1 Z5	4
13990013	WASHER, LOCK, 5/16 Z5	4
93420094	UPRIGHT PAD HINGE	1
98420063	THIGH PAD	1



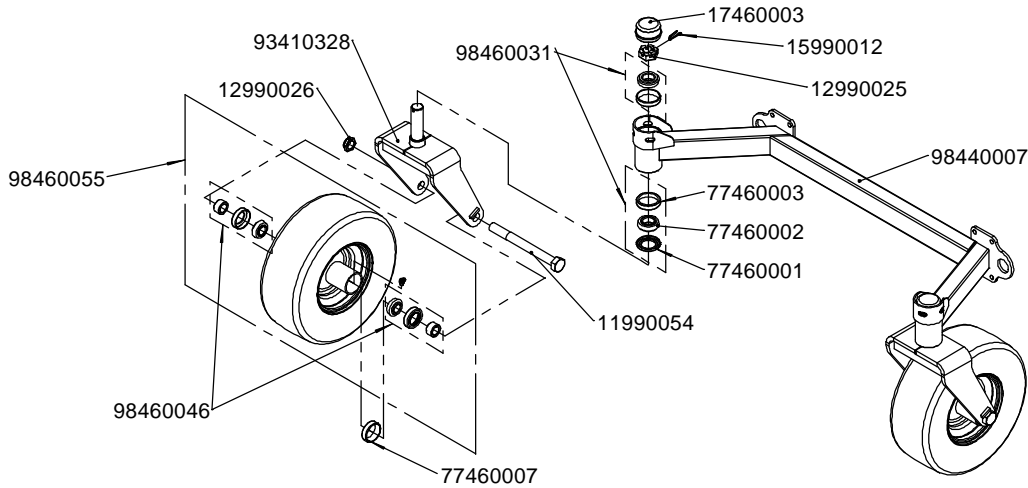
BATTERY BOX ASSEMBLY

PN	DESCRIPTION	QTY
11990001	BOLT, HEX, 1/4-20 x 5/8 Z5	1
11990024	SCREW, TRUSS HEAD, PHILIPS, 1/4-20 X 3/4 SS	2
12990019	NUT, NYLOCK, 1/4-20 Z5	3
13990009	WASHER, FLAT, USS 1/4 Z5	2
93410308	BATTERY BOX WELDMENT	1
93410309	BATTERY BOX COVER	1
93410316	BATTERY HOLD	1
REF	BATTERY, 12V	1



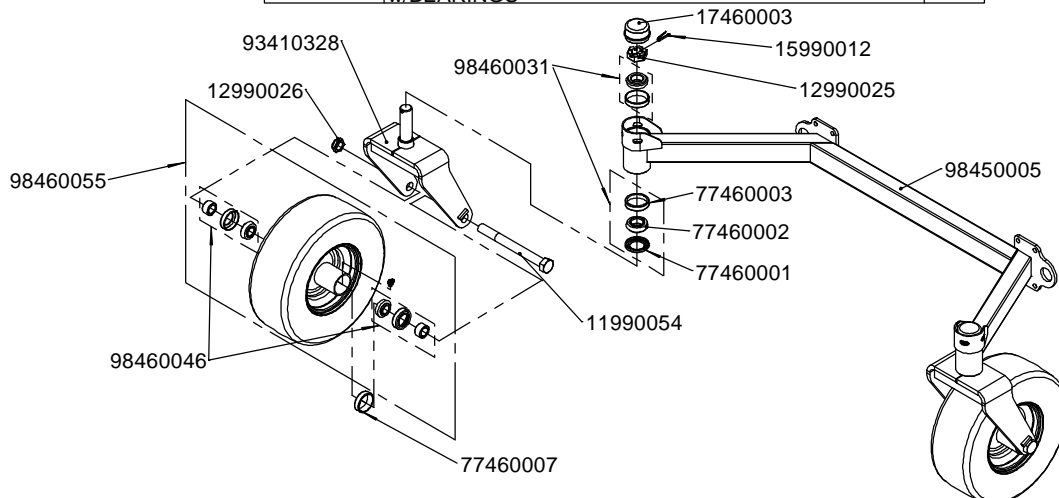
CASTER ARM ASSEMBLY 48" AND 52"

PN	DESCRIPTION	QTY
11990054	BOLT, HEX, 3/4-10 X 7 1/2 Z5	2
12990025	NUT CASTLE, 1-14 P8	2
12990026	NUT, NYLOCK, JAM, 3/4-10 Z5	2
15990012	COTTER PIN 1/8 x 2	2
17460003	DUST CAP, CASTER ARMS	2
77460001	SEAL, GREASE, CASTER ARM	2
77460002	BEARING, TAPERED, CASTER ARM	4
77460003	BEARING RACE, CASTER ARM	-
77460007	BEARING RACE, CASTER WHEEL	-
93410328	CASTER YOKE WELDMENT, 13" TIRE, WSTX/WSPX	2
98440007	CASTER ARM ASSEMBLY, 48-52", WSTX/WSPX	1
98460031	BEARING KIT, CASTER ARM	-
98460046	CASTER WHEEL BEARING KIT, WITHOUT RACE	-
98460055	WHEEL ASSEMBLY, 13X500-6, BLACK, FLAT FREE, w/BEARINGS	2



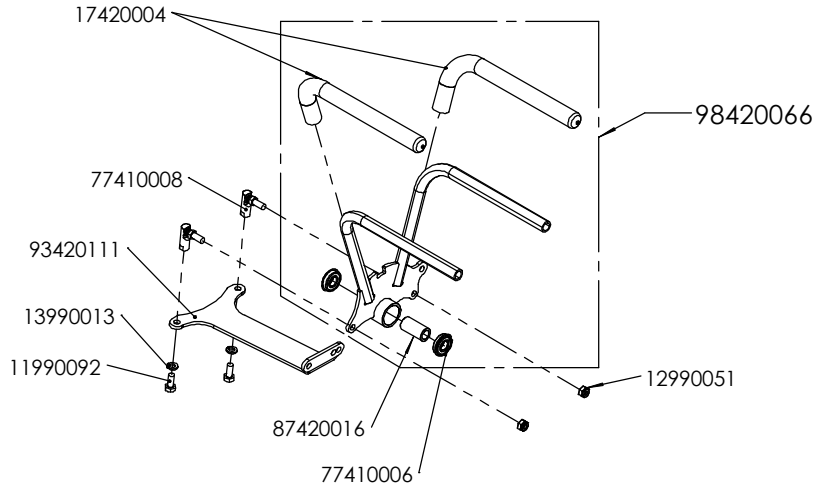
CASTER ARM ASSEMBLY 61

PN	DESCRIPTION	QTY
11990054	BOLT, HEX, 3/4-10 X 7 1/2 Z5	2
12990025	NUT CASTLE, 1-14 P8	2
12990026	NUT, NYLOCK, JAM, 3/4-10 Z5	2
15990012	COTTER PIN 1/8 x 2	2
17460003	DUST CAP, CASTER ARMS	2
77460001	SEAL, GREASE, CASTER ARM	2
77460002	BEARING, TAPERED, CASTER ARM	4
77460003	BEARING RACE, CASTER ARM	-
77460007	BEARING RACE, CASTER WHEEL	-
93410328	CASTER YOKE WELDMENT, 13" TIRE, WSTX/WSPX	2
98450005	CASTER ARM ASSEMBLY, 61", WSTX/WSPX	1
98460031	BEARING KIT, CASTER ARM	-
98460046	CASTER WHEEL BEARING KIT, WITHOUT RACE	-
98460055	WHEEL ASSEMBLY, 13X500-6, BLACK, FLAT FREE, w/BEARINGS	2



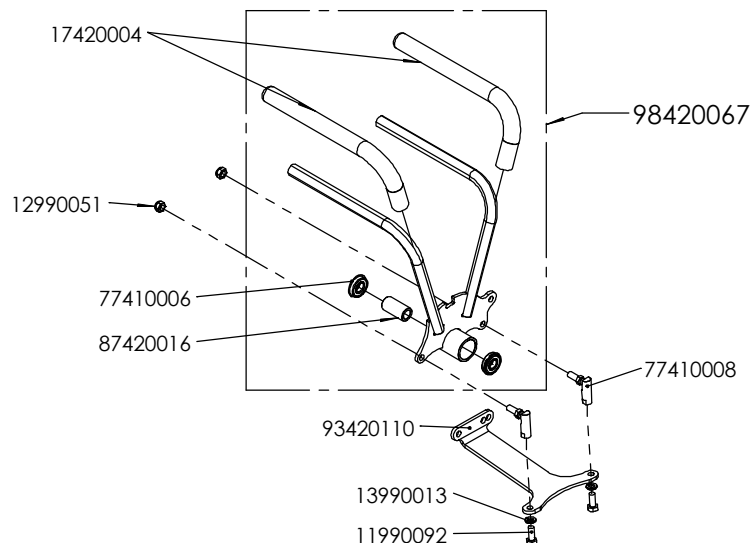
RIGHT CONTROL LEVER

PN	DESCRIPTION	QTY
11990092	BOLT, HEX, 5/16-24 x 3/4 Z5	2
12990051	NUT, NYLOCK, 5/16-24 Z5	2
13990013	WASHER, LOCK, 5/16 Z5	2
17420004	GRIP, CONTROL LEVER, 0.625 X 11 X 0.090	2
77410006	BEARING, BALL SEALED W/ SNAP RING	2
77410008	ROD END, 5/16-24	2
87420016	BEARING SPANNER	1
93420111	CONTROL SYSTEM TORSION BAR, "RIGHT"	1
98420066	CONTROL LEVER ASSEMBLY, RIGHT	-



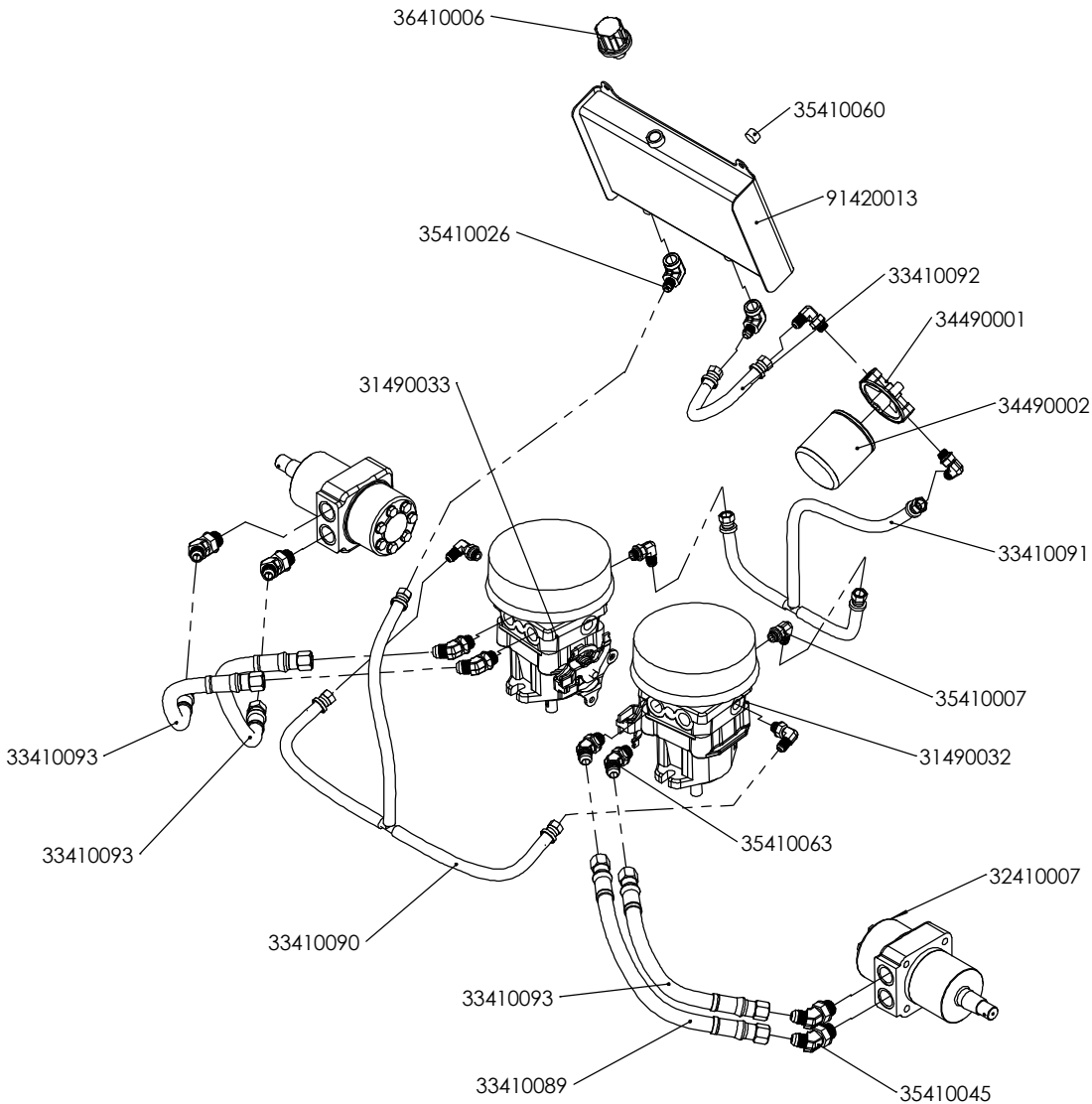
LEFT CONTROL LEVER

PN	DESCRIPTION	QTY
11990092	BOLT, HEX, 5/16-24 x 3/4 Z5	2
12990051	NUT, NYLOCK, 5/16-24 Z5	2
13990013	WASHER, LOCK, 5/16 Z5	2
17420004	GRIP, CONTROL LEVER, 0.625 X 11 X 0.090	2
77410006	BEARING, BALL SEALED W/ SNAP RING	2
77410008	ROD END, 5/16-24	2
87420016	BEARING SPANNER	1
93420110	CONTROL SYSTEM TORSION BAR, "LEFT"	1
98420067	LEFT CONTROL LEVER ASSEMBLY	-



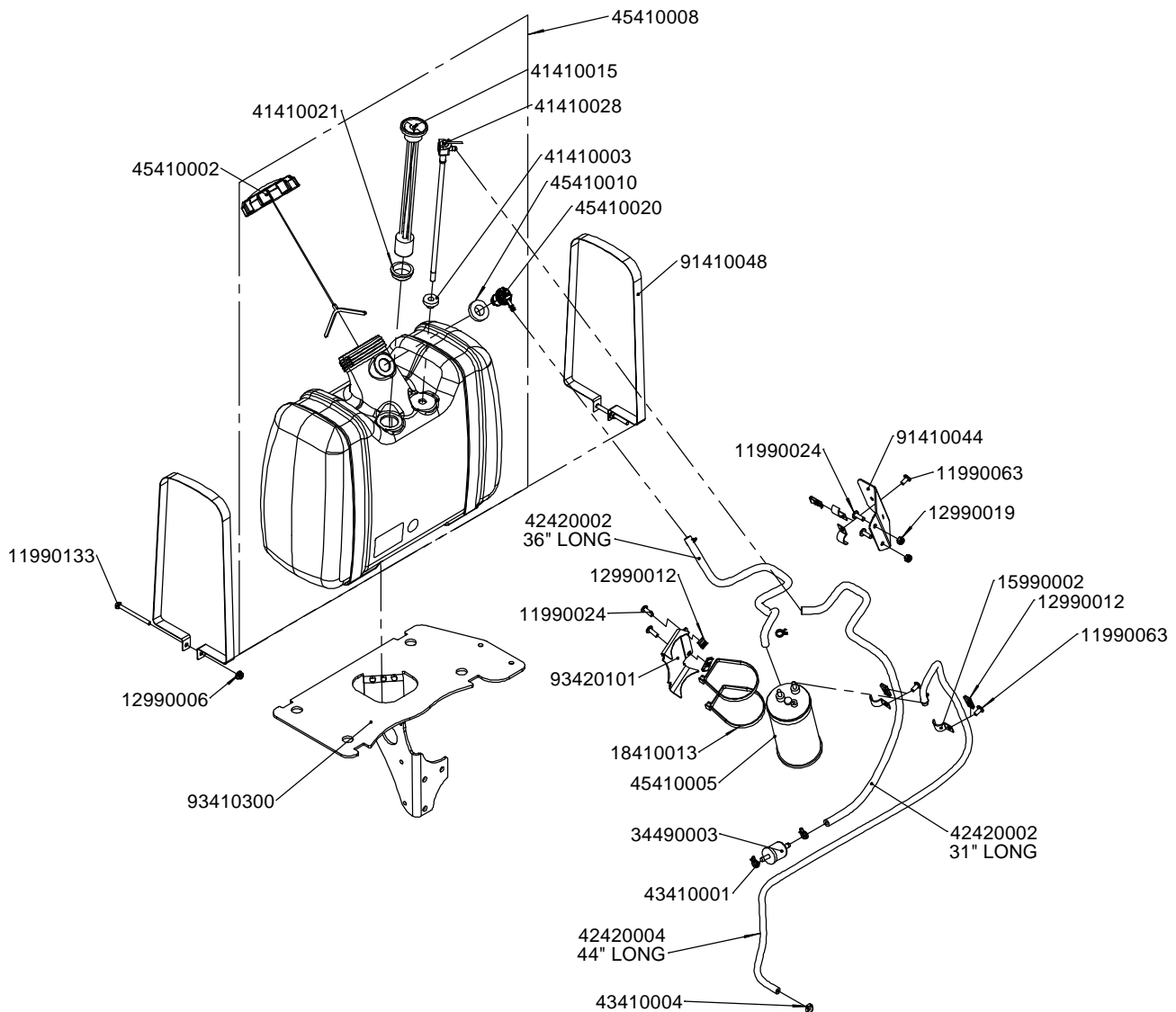
HYDRO SYSTEM

PN	DESCRIPTION	QTY.
31490032	HYDRO PUMP, 12CC, PK-3KPP-FA1E	1
31490033	HYDRO PUMP, 12CC, PK-3HPP-FB1E	1
32410007	HYDRO MOTOR, 15P	2
33410089	HOSE, HYDRO, HIGH PRESS, LT LOWER, 19"	1
33410090	HOSE, HYDRO, LOW PRESS, TEE, PUMP-TNK	1
33410091	HOSE, HYDRO, LOW PRESS, TEE, FLTR-PUMP	1
33410092	HOSE, HYDRO, LOW PRESS, TANK-FLTR	1
33410093	HOSE, HYDRO, HIGH PRESS, LT UPPER, RT LOWER/UPPER, 16"	3
34490001	HYDRO OIL FILTER HOUSING BLOCK	1
34490002	HYDRO OIL FILTER, 25 MICRON, NON-BYPASS	1
35410007	FITTING, -6 MORB x -6 MJIC, 90 DEGREE	7
35410026	FITTING, -6 MJIC x -6 FNPT, 90 DEGREE	2
35410045	FITTING, -10 MORB X -8 MJIC, 45 DEGREE	4
35410060	PLUG, 3/8 PIPE, 9/16-18 NPTF, 0.46L, Z	1
35410063	FITTING, ELBOW, 45 DEG, -8 MORB X -8 MJIC	4
36410006	HYDRO TANK VENT CAP	1
91420013	HYDRO TANK	1



FUEL SYSTEM ASSEMBLY

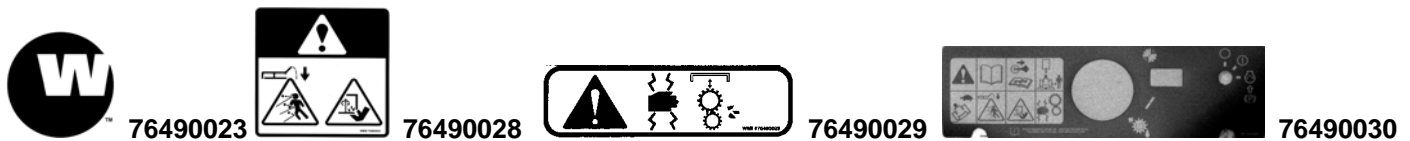
PN	DESCRIPTION	QTY
11990024	SCREW, TRUSS HEAD, PHILIPS, 1/4-20 X 3/4 SS	4
11990063	SCREW, TRUSS HEAD, PHILIPS, 1/4-20 X 1/2 SS	3
11990133	BOLT, HEX, 1/4-20 X 3 Z5, TAP	2
12990006	NUT, LOCK FLANGE, 1/4-20 Z5	2
12990012	NUT, U, 1/4-20, 11GA	5
12990019	NUT, NYLOCK, 1/4-20 Z5	2
15990002	CLIP, HALF 5/8	4
18410013	CABLE TIE, 14"	2
34490003	FUEL FILTER	1
41410003	BUSHING FOR FUEL TANK VALVE	1
41410015	FUEL LEVEL GAUGE, WAND TYPE	1
41410021	GROMMET, FUEL GAUGE	1
41410028	FUEL SIPHON, 11.5" LONG W/90 DEG VALVE	1
42420002	1/4" FUEL LINE, CARB, PER FT	-
42420004	HOSE, 3/16 ID FUEL (NOT LOW PERM)	-
43410001	HOSE CLAMP, 1/4"	5
43410004	HOSE, EAR CLAMP, 3/16"	1
45410002	FUEL TANK CAP, NON-VENTED, CARB, 3"	1
45410005	CARBON CANISTER	1
45410008	FUEL TANK ASSEMBLY 6GAL CUSTOM (CARB/EPA)	1
45410010	GROMMET, REMOTE VENT	1
45410020	FUEL, REMOTE VENT WITH INTERNAL VALVE	1
91410044	PROTECTOR PLATE, UPRIGHT FUEL LINE, WSTX	1
91410048	FUEL TANK STRAP	2
93410300	FUEL TANK SUPPORT WELDMNT, WSTX/WSPX	1
93420101	BRACKET, CARBON CANISTER	1



DECALS

P/N	DESCRIPTION	QTY
76410001	DECAL, ALL LOGOS	1
76460001	DECAL, DANGER BLADE HAZARD	2
76490001	DECAL, SHIELD MISSING	2
76490005	DECAL, THROTTLE INSTRUCTIONS	1
76490007	DECAL, 52" DECK SIZE	1
76490008	DECAL, 48" DECK SIZE	1
76490012	DECAL, 61" DECK SIZE	1
76490013	DECAL, MAIN INST. PANEL	1
76490023	DECAL, CIRCLE WITH "W"	3
76490028	DECAL, CE DANGER BLADE HAZARD	2
76490029	DECAL, CE SHIELD MISSING	2
76490030	DECAL, CE MAIN INST. PANEL	1
76490031	DECAL, CE THROTTLE INSTRUCTIONS	1
76490042	DECAL, CE 122CM DECK SIZE	1

P/N	DESCRIPTION	QTY
76490043	DECAL, CE 132CM DECK SIZE	1
76490044	DECAL, CE 155CM DECK SIZE	1
76490045	DECAL, CE READING	1
76490051	DECAL, COMMERCIAL BENEFITS	1
76490053	DECAL, PARKING BRAKE	1
76490058	DECAL, HEARING PROTECTION	1
76490059	DECAL, AMERICAN FLAG	1
76490082	DECAL, DANGER TRIANGLE	1
76490090	DECAL, STANDER X	1
76490093	DECAL, DECK HEIGHT SELECTOR	1
76490094	DECAL, PATENT NUMBERS	1
76490095	DECAL, FUSION BLADE	1
76490100	DECAL, AERO-CORE DECK	2





4600X Wedgewood Blvd
Frederick, MD 21703
www.wrightmfg.com